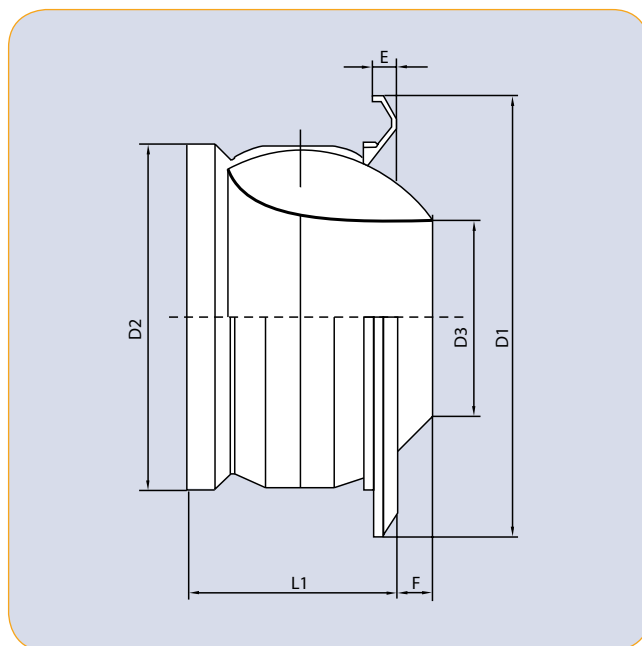


DYSZE DALEKIEGO ZASIĘGU JNS



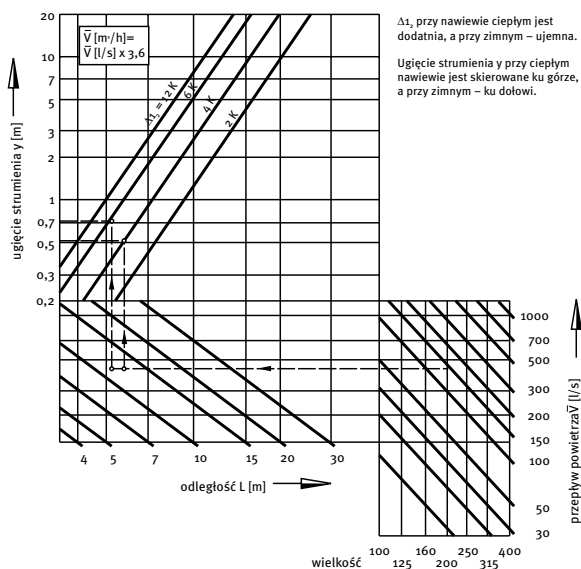
- Materiał: aluminium, stal ocynkowana
- Zastosowanie: obiekty wielokubatorowe
- Zasięg roboczy do 30 metrów
- Niski poziom hałasu, duża wydajność
- Możliwość ręcznej regulacji wypływu strugi
- Lakierowana proszkowo
- Produkt posiada atest PZH
- Malowane proszkowo na kolor RAL 9010

| Wymiar dyszy | D1 | D2 | D3 | E | F | L1 |
|--------------|------|-----|-----|------|----|-----|
| | (mm) | | | | | |
| 100 | 162 | 98 | 50 | 10 | -2 | 78 |
| 125 | 185 | 123 | 64 | 10 | 4 | 89 |
| 160 | 216 | 158 | 82 | 11 | 10 | 106 |
| 200 | 273 | 198 | 108 | 16 | 14 | 127 |
| 250 | 318 | 248 | 136 | 16 | 23 | 159 |
| 315 | 400 | 313 | 174 | 23 | 29 | 189 |
| 400 | 483 | 398 | 230 | 24 | 47 | 223 |
| 500 | 596 | 498 | 286 | 27,5 | 60 | 290 |

| Wymiary dyszy | Rekomendowana średnica rury | | | | | | |
|---------------|-----------------------------|-----|-----|-----|-----|-----|------|
| | 200 | 250 | 315 | 500 | 630 | 800 | 1000 |
| 100 | • | | | | | | |
| 125 | | • | | | | | |
| 160 | | | • | • | • | • | |
| 200 | | | | • | • | • | |
| 250 | | | | • | • | • | |
| 315 | | | | • | • | • | |
| 400 | | | | | • | • | |
| 500 | | | | | | • | • |

| Wielkość (mm) | Zasięg strugi | | | | | | | | | Końcowa prędkość powietrza (m/s) |
|---------------|--------------------------|-----------------------|-----------------------|--------------------------|-----------------------|-----------------------|--------------------------|-----------------------|-----------------------|----------------------------------|
| | 10 m | | | 20 m | | | 30 m | | | |
| | Wydatek powietrza (m³/h) | Strata ciśnienia (Pa) | Poziom hałasu (db(A)) | Wydatek powietrza (m³/h) | Strata ciśnienia (Pa) | Poziom hałasu (db(A)) | Wydatek powietrza (m³/h) | Strata ciśnienia (Pa) | Poziom hałasu (db(A)) | |
| 100 | - | - | - | 93,6 | 86 | 29 | 140 | 175 | 41 | 0,25 |
| 125 | - | - | - | 122 | 71 | 25 | 180 | 136 | 36 | |
| 160 | 82,8 | 11 | <20 | 165 | 26 | <20 | 250 | 98 | 35 | |
| 200 | 104 | - | <20 | 220 | 29 | <20 | 306 | 67 | 27 | |
| 250 | 133 | - | <20 | 272 | 8,3 | <20 | 382 | 34 | 22 | |
| 315 | 180 | - | <20 | 350 | 11 | <20 | 540 | 36 | 20 | |
| 400 | 234 | - | <20 | 465 | 8 | <20 | 702 | 13 | <20 | |
| 500 | 275 | - | 220 | 525 | 6,5 | <20 | 865 | 8 | <20 | |
| 100 | 93,6 | 86 | 29 | 187 | 300 | 50 | - | - | - | 0,5 |
| 125 | 122 | 71 | 25 | 245 | 265 | 46 | - | - | - | |
| 160 | 165 | 26 | <20 | 330 | 113 | 44 | 497 | 200 | 55 | |
| 200 | 220 | 29 | <20 | 435 | 123 | 38 | 655 | 218 | 50 | |
| 250 | 274 | 8,3 | <20 | 548 | 63 | 34 | 825 | 112 | 45 | |
| 315 | 350 | 11 | <20 | 690 | 57 | 28 | 1055 | 104 | 40 | |
| 400 | 464 | 8 | <20 | 930 | 32 | 20 | 1394 | 69 | 33 | |
| 500 | 545 | 6 | <20 | 1252 | 24 | 15 | 1650 | 45 | 28 | |
| 100 | 187 | 300 | 50 | - | - | - | - | - | - | 1,0 |
| 125 | 245 | 265 | 46 | - | - | - | - | - | - | |
| 160 | 330 | 113 | 44 | - | - | - | - | - | - | |
| 200 | 435 | 123 | 38 | 870 | 312 | - | - | - | - | |
| 250 | 548 | 63 | 34 | 1100 | 160 | 53 | - | - | - | |
| 315 | 700 | 57 | 28 | 1400 | 150 | 48 | 2106 | 243 | - | |
| 400 | 930 | 32 | 20 | 1860 | 123 | 42 | 2783 | 273 | 53 | |
| 500 | 1151 | 26 | 14 | 2245 | 95 | 37 | 3280 | 296 | 49 | |

UGIĘCIE STRUMIENIA



NAWIEWY

